

**Model Papers  
of  
Vocational Subjects  
for  
Class 12th (Level-4)**



**Published By:**

**THE JAMMU & KASHMIR BOARD OF SCHOOL EDUCATION  
Kashmir/Jammu**

**Effective From**

***Session: 2021-2022 Onwards***

***KD/JD (Winter Zone)***

***JD (Summer Zone)***

# **Model Paper**

**Class 12<sup>th</sup>**

***IT / ITeS***

***Job Role: Junior Software Developer***

**Maximum Marks: 60**

**Time: 2:30 Hours**

**Section-A**

**Very Short Answer Type Questions**

**1 Mark Each**

**Q1:** In a Spreadsheet, letters are used to represent \_\_\_\_\_

- a) Columns
- b) Blocks
- c) Rows
- d) Cells

**Q2:** Iffat owns a construction company and takes risky decisions in her work every day.

Iffat is an \_\_\_\_\_

- a) Wage Employed Person
- b) Entrepreneur
- c) Both (a) and (b)
- d) None of the above

**Q3:** First step in the software development life cycle is \_\_\_\_\_

- a) System Design
- b) Coding
- c) System Testing
- d) Preliminary investigation and analysis

**Q4:** Black box testing is also known as \_\_\_\_\_

**Q5:** 'int' is used to store floating point data. (***True/False***)

**Q6:** The 'for loop' in Python is an \_\_\_\_\_

- a) Entry controlled loop
- b) Exit controlled loop
- c) Both (a) and (b)
- d) None of the above

**Q7:** Full form of HTML is \_\_\_\_\_

**Q8:** JavaScript is an \_\_\_\_\_ language.

- a) Object-Oriented
- b) Object-Based
- c) Procedural
- d) None of the above

**Q9:** Choose the correct option related to Android:

- a) Android is a web browser
- b) Android is an operating system
- c) Android is a web server
- d) None of the above

**Q10:** Cybercrime is any criminal activity that involves a computer, networked device or a network. (***True/False***)

**Section-B****Short Answer Type Questions-I**  
*(20-40 words each)***2 Marks Each**

- Q11:** What is active listening? Give an example.  
**Q12:** With an example define result oriented goals.  
**Q13:** What do you understand by the term unit testing?  
**Q14:** Name any two types of loops used in python.  
**Q15:** What is web browser?  
**Q16:** Write any two operating systems used in mobiles.  
**Q17:** What do you understand by Smartphone?

**Section-C****Short Answer Type Questions-II**  
*(50-60 words each)***3 Marks Each**

- Q18:** What are the common personality disorders? Discuss briefly.  
**Q19:** What are the basic personality traits?  
**Q20:** Describe briefly the qualities of a successful entrepreneur.  
**Q21:** Difference between white box and black box testing.  
**Q22:** What are the different types of mobile applications?  
**Q23:** Explain briefly cloud computing.  
**Q24:** Define the terms:  
a) Trademark  
b) Patent  
c) Copyright

**Section-D****Long Answer Type Questions**  
*(150-200 words each)***5 Marks Each**

- Q25:** What is Spreadsheet? Give its applications in different areas.  
*Or*  
Define entrepreneur. What are the various types of entrepreneurs?
- Q26:** What is Software engineering? Discuss different phases of SDLC?  
*Or*  
Describe any three types of software testing.
- Q27:** What do you understand by Indian Information Technology Act (IT Act 2000)?  
*Or*  
Technology is changing the way we think. Where would we be without technology?

# **Model Paper**

**Class 12<sup>th</sup>**

***Retail***

***Job Role: Trainee Associate***

**Maximum Marks: 60**

**Time: 2:30 Hours**

**Section-A Very Short Answer Type Questions**

**1 Mark Each**

**Q1:** The main objective of retail management is:

- a) Employee satisfaction
- b) Profitability
- c) Sales growth
- d) Both c and d

**Q2:** Grievance arises due to

- a) Proper communication
- b) while providing information
- c) Disrespect customer
- d) Customers long waiting time for purchasing

**Q3:** Which is not the objective of using customer relationship management (CRM) in retail outlet.

- a) Improve customer satisfaction
- b) Reduce business sales
- c) Enlarge the customer base
- d) Improve workforce productivity

**Q4:** Damaged goods should not be kept in store at the selling side.

***(True/False)***

**Q5:** A retailer must install CCTV's and cameras to keep an eye on the customer.

***(True/False)***

**Q6:** \_\_\_\_\_ is a document issued by a seller to a buyer to notify that the credit is being applied to their account.

**Q7:** Trainee associate should ensure the possible \_\_\_\_\_ for facing any fire hazards.

**Q8:** \_\_\_\_\_ media is one of the ancient forms of promotion.

**Q9:** Define Customer relationship management.

**Q10:** Write two C's of credit.

**Section-B****Short Answer Type Questions-I****2 Marks Each***(20-40 words each)*

**Q11:** What is active listening? Give an example.

**Q12:** List down the two qualities of a successful entrepreneur?

**Q13:** State any two difference between E-CRM and CRM.

**Q14:** Write two features of loyalty programmes?

**Q15:** Robbery at retail stores is prevalent these days. Comment.

**Q16:** Draw any two hazardous equipment's at retail store.

**Q17:** What is a work team in retailing?

**Section-C****Short Answer Type Questions-II****3 Marks Each***(50-60 words each)*

**Q18:** What are three different ways of coming up with a business idea?

**Q19:** List any five self-management skills.

**Q20:** Why security equipment's are important in retail stores

**Q21:** What are the factors of identifying risk?

**Q22:** Explain briefly credit worthiness.

**Q23:** Write three significance of recognizing customers needs.

**Q24:** Define the terms:

- i) Trainee associate
- ii) Security Risk
- iii) Team work

**Section-D****Long Answer Type Questions****5 Marks Each***(150-200 words each)*

**Q25:** What is a sentence. Explain the kinds of sentence.

*Or*

Define entrepreneur. What are the barriers to becoming entrepreneurs?

**Q26:** Define cyber security. What are the various challenges of cyber security in retail industry?

*Or*

If a robbery occurs at departmental store, what would be the procedure of reporting the same to the higher ups.

**Q27:** Explain the various rights and responsibilities of retail employees.

*Or*

Explain the behavioural aspects in dealing with the customers, colleagues and superiors.

# Model Paper

## Class 12<sup>th</sup>

### HealthCare

#### *Job Role: General Duty Assistant*

Maximum Marks: 60

Time: 2:30 Hours

Section-A

Very Short Answer Type Questions

1 Mark Each

**Q1:** What are the characteristics of an idle message.

- a) Clear
- b) Concise
- c) Concrete
- d) All of the above

**Q2:** Identify the subject in the sentence: The children played football.

- a) The children
- b) Children played
- c) Played
- d) Football

**Q3:** A person has feelings of emptiness abandonment and suicide. What type of personality disorder is this?

- a) Border line
- b) Dependent
- c) Avoidant
- d) Obsessive

**Q4:** Sitting upright is the most comfortable position during coughing. (*True/False*)

**Q5:** Which of the following is not a stage of active listening.

- a) Receiving
- b) Understanding
- b) Non responding
- d) Evaluating

**Q6:** The triflo has \_\_\_\_\_ balls inside a clear plastic box.

**Q7:** \_\_\_\_\_ is the process which virtually eliminates or destroys bacteria and virus.

**Q8:** Define the term Documentation.

**Q9:** The state in which a person feels upset, annoyed and hopeless.

- a) Stress
- b) Motivation
- b) Anger
- d) Excitement

**Q10:** Percussion means:

- a) Listening sounds
- b) Tapping with fingers
- b) Visual examination
- d) All of these.

**Section-B****Short Answer Type Questions-I****2 Marks Each***(20-40 words each)*

**Q11:** List any four techniques of physical examination ?

**Q12:** How will you open sterile wrapped tray?

**Q13:** What do you mean by result oriented goals.

**Q14:** Write any two components of pulse polio immunization programme?

**Q15:** How exercise help in keeping body fit and healthy.

**Q16:** What do you understand by the term Vaccine?

**Q17:** what is active listening? Give an example.

**Section-C****Short Answer Type Questions-II****3 Marks Each***(50-60 words each)*

**Q18:** Differentiate between concurrent and terminal disinfection?

**Q19:** What are the common personality disorders? Discuss briefly.

**Q20:** Describe briefly the qualities of a successful entrepreneur.

**Q21:** State any three purposes of health assessment?

**Q22:** Write a short note on intravenous drug delivery method .

**Q23:** What is the importance of bio medical waste management.

**Q24:** Enlist the content of admission note?

**Section-D****Long Answer Type Questions****5 Marks Each***(150-200 words each)*

**Q25:** Define ICT. Explain any four important fields where ICT is used.

*Or*

Explain the different ways in which an entrepreneur affects a society.

**Q26:** Describe the role of general duty assistant (GDA) in maintaining patient safety in drug delivery system.

*Or*

Define transdermal drug delivery system, what are its advantages.

**Q27:** How biomedical waste management help in environment protection.

*Or*

Describe the method of disposing of microbiological wastes in hospitals.

**Model Paper**  
**Class 12<sup>th</sup>**  
***Tourism & Hospitality***  
***Job Role: Customer Service Executive (Meet & Greet)***

**Maximum Marks: 60**

**Time: 2:30 Hours**

**Section-A                      Very Short Answer Type Questions                      1 Mark Each**

**Q1:** In a Spreadsheet, letters are used to represent \_\_\_\_\_

- |            |           |
|------------|-----------|
| a) Columns | b) Blocks |
| c) Rows    | d) Cells  |

**Q2:** Sania owns a construction company and takes risky decisions in her work every day. Sania is an \_\_\_\_\_

- |                         |                      |
|-------------------------|----------------------|
| a) Wage Employed Person | b) Entrepreneur      |
| c) Both (a) and (b)     | d) None of the above |

**Q3:** Hospitality offers \_\_\_\_\_

- |               |                     |
|---------------|---------------------|
| a) F & B      | b) Lodging          |
| c) Recreation | d) All of the above |

**Q4:** F & B is known as \_\_\_\_\_

**Q5:** Creating an open minded atmosphere at work place.

***(True/False)***

**Q6:** Recreational facilities for children are \_\_\_\_\_

- |                            |                      |
|----------------------------|----------------------|
| a) Swimming & Tennis court | b) Water kingdom     |
| c) Both (a) and (b)        | d) None of the above |

**Q7:** Full form of PPE is \_\_\_\_\_

**Q8:** Grooming is associated with \_\_\_\_\_

- |                         |                     |
|-------------------------|---------------------|
| a) Personal appearance  | b) Personal hygiene |
| c) Dress professionally | d) All of the above |

**Q9:** F & B service equipment are divided into Glassware, Chinaware & \_\_\_\_\_

**Q10:** Customer centricity means to understand the customer Needs & wants.

***(True/False)***



**Section-B****Short Answer Type Questions-I****2 Marks Each***(20-40 words each)*

- Q11:** What is active listening? Give an example.  
**Q12:** With an example define result oriented goals.  
**Q13:** What do you understand by Etiquettes?  
**Q14:** Enlist four types of recreational facilities for children.  
**Q15:** What is personal hygiene?  
**Q16:** Name any two F & B workplace hazards.  
**Q17:** Define PPE.

**Section-C****Short Answer Type Questions-II****3 Marks Each***(50-60 words each)*

- Q18:** What are the common personality disorders? Discuss briefly.  
**Q19:** What are the basic personality traits?  
**Q20:** Describe briefly the qualities of a successful entrepreneur.  
**Q21:** Write down any three telephone etiquettes.  
**Q22:** What are the safe procedure for storage of acids & Chemicals?  
**Q23:** Role of English language in Hospitality Industry. Discuss briefly.  
**Q24:** Define the terms:  
    a. Customer profile  
    b. Customer feedback  
    c. Customer Satisfaction

**Section-D****Long Answer Type Questions****5 Marks Each***(150-200 words each)*

- Q25:** What is Spreadsheet? Give its applications in different areas.

*Or*

Define entrepreneur. What are the various types of entrepreneurs?

- Q26:** What is Hospitality? What are the goals of Hospitality?

*Or*

Explain the need & necessities of etiquettes & manners in Hospitality Industry.

- Q27:** Describe various types of customers & their needs.

*Or*

Explain the role of customer feedback, complaints & ratings for improvement of services.

**Model Paper**  
**Class 12<sup>th</sup>**  
***Tourism & Hospitality***  
***Job Role: Food & Beverage Service Steward***

**Maximum Marks: 60**

**Time: 2:30 Hours**

**Section-A**                      **Very Short Answer Type Questions**                      **1 Mark Each**

**Q1:** He is good at studies, identify the “Adjective”.

- |       |            |
|-------|------------|
| a) He | b) Good    |
| c) is | d) Studies |

**Q2:** Which software is used to make a presentation?

- |             |                   |
|-------------|-------------------|
| a) MS Word  | b) MS Power Point |
| c) MS Excel | d) MS Paint       |

**Q3:** Define Tourism.

**Q4:** Controlling function of an Organization is:

- |  |                      |
|--|----------------------|
| a) Forward looking                     | b) Backward looking  |
| c) Forward as well as backward looking | d) None of The Above |

**Q5:** A Prompt reply means:

- |                   |                   |
|-------------------|-------------------|
| a) Customer reply | b) Quick response |
| c) Lazy response  | d) Right reply    |

**Q6:** On which date is World Tourism Day celebrated?

- |                   |                |
|-------------------|----------------|
| a) 26th January   | b) 15th August |
| c) 27th September | d) 10th May    |

**Q7:** Choking means:

- |                            |                        |
|----------------------------|------------------------|
| a) Shortness of equipments | b) Shortness of breath |
| c) A Shortness of food     | d) None of the Above   |

**Q8:** A small space or room attached to the kitchen is known as \_\_\_\_\_.

**Q9:** Help given to a sick or injured person until he/she gets full medical treatment is known as Hospitalization. (True/False)

**Q10:** The full form of PPE is \_\_\_\_\_.

**Section-B****Short Answer Type Questions-I****2 Marks Each***(20-40 words each)*

- Q11:** What do you mean by self-motivation?  
**Q12:** Enlist any four qualities of a successful entrepreneur.  
**Q13:** Differentiate between Domestic and International Tourism.  
**Q14:** What is customer satisfaction?  
**Q15:** what is punctuality?  
**Q16:** Give an example of hospitable conduct.  
**Q17:** Give two examples of good behaviour at workplace

**Section-C****Short Answer Type Questions-II****3 Marks Each***(50-60 words each)*

- Q18:** Write a short note on Eco-Tourism.  
**Q19:** write down some effective ways to conserve water .  
**Q20:** It is important to get the feedback from customers, Justify.  
**Q21:** Why is it important to share the issues with seniors at workplace?  
**Q22:** Write down some points that help to maintain good personal appearance.  
**Q23:** Discuss some steps to use fire extinguishers during a fire breakout.  
**Q24:** What is Multi-Tasking? What is its importance at workplace?

**Section-D****Long Answer Type Questions****5 Marks Each***(150-200 words each)*

- Q25:** What is Personality? What are the basic personality traits?

*Or*

What is listening? Name some ways to overcome the barriers of listening.

- Q26:** Define Communication. What is the role of effective communication in greeting guests?

*Or*

Discuss the policy & guidelines which help to deal with the customer problems

- Q27:** Explain workplace Hazards from equipment's & their prevention.

*Or*

Define Personal Protective Equipment and explain its advantages.

**Model Paper**  
**Class 12<sup>th</sup>**  
***Agriculture***  
***Job Role: Organic Grower***

**Maximum Marks: 60**

**Time: 2:30 Hours**

**Section-A**

**Very Short Answer Type Questions**

**1 Mark Each**

**Q1:** Maturity is the \_\_\_\_\_ Stage of development of crop

- a) Initial
- b) Final
- c) Middle
- d) None of the above

**Q2:** Snap picking is done in which of the following

- a) Vegetables
- b) Fruits
- c) Flowers
- d) None of the above

**Q3:** Which of the following factors affect maturity?

- (a) Colour
- (b) Density
- (c) Temperature
- (d) Specific gravity

**Q4:** Vegetables should be harvested during hot hours of the day.

*(True/ False)*

**Q5:** Hypobaric storage involves cold storage of fruits under partial vacuum.

*(True/ False)*

**Q6:** Manual harvesting is done with the help of machines.

*(True/ False)*

**Q7:** Full form of NPOP

**Q8:** Full form of ROM

**Q9:** Full form of ICT

**Q10:** How do you receive information on phone

- a) Listening through microphone
- b) Listening through speaker
- c) Both of the above
- d) None of the above

**Section-B****Short Answer Type Questions-I****2 Marks Each***(20-40 Words each)***Q11:** What is communication?**Q12:** What is Entrepreneurship?**Q13:** Role of entrepreneur?**Q14:** Importance of APEDA?**Q15:** What do you mean by record keeping?**Q16:** What are bio-fertilizers?**Q17:** What do you mean by organic certification?**Section-C****Short Answer Type Questions-II****3 Marks Each***(50-60 Words each)***Q18:** Write a short note on green skills?**Q19:** What is the difference between verbal and non-verbal communication?**Q20:** Enlist the elements of communication?**Q21:** Difference between sole proprietorship and partnership.**Q22:** Enlist the factors affecting food quality?**Q23:** Name any three schemes related to organic farming?**Q24:** what is the importance of organic farming?**Section-D****Long Answer Type Questions****5 Marks Each***(150-200 Words each)***Q25:** Define communication and what are the 7C's of effective communication?*Or*

Define ICT and which type of ICT tools are used at home?

**Q26:** Define Email marketing and what is its importance?*Or*

Define business and what are its types?

**Q27:** Define the following terms and write two advantages of each?

a) FYM

b) Vermicomposting

*Or*

What is organic farming? Why there is need for organic farming?

**Model Paper**  
**Class 12<sup>th</sup>**  
***Agriculture***  
***Job Role: Dairy Farmer***

**Maximum Marks: 60**

**Time: 2:30 Hours**

**Section-A Very Short Answer Type Questions**

**1 Mark Each**

**Q1:** \_\_\_\_\_ is considered as a Rabi fodder.

- a) Berseem                      b) Maize  
c) Cow pea                      d) Sorghum

**Q2:** The Indian grassland and fodder research institute is located in?

- a) New Delhi                      b) Jhansi  
c) Kolkata                      d) Bareilly

**Q3:** Scientific name of sorghum is?

- a) Medicago sativa              b) Hordeum vulgare  
c) Sorghum Bicolor              d) Vigna sinensis

**Q4:** Hollow stem crops are suitable for silage making.

*(True/False)*

**Q5:** Silage is prepared under aerobic conditions.

*(True/False)*

**Q6:** The visual sign of healthy animal is?

- a) Alertness                      b) Sleek coat  
c) Bright eyes and pink eye      d) All of the above

**Q7:** Ectoparasites are responsible for the transmission of?

**Q8:** \_\_\_\_\_ is not an abnormal behaviour.

- a) Mismothering                      b) Suckling  
c) Kicking                      d) Nymphomania

**Q9:** What are the methods of identification?

**Q10:** Define Gestation period?

**Section-B****Short Answer Type Questions-I**  
*(20-40 Words each)***2 Marks Each****Q11:**What is communication?**Q12:** What are the qualities of a successful entrepreneur?**Q13:**Define Ear tagging and Tooting?**Q14:**Define methods of milking?**Q15:**What is Dehorning?**Q16:**What is castration?**Q17:**What are the characteristic of farm record?**Section-C****Short Answer Type Questions-II**  
*(50-60 Words each)***3 Marks Each****Q18:**What are the types of Non –verbal communication?**Q19:** List any five self-management skills.**Q20:** What are green skills?**Q21:**Define stripping?**Q22:** Define Biosecurity?**Q23:**What is compostion?**Q24:**What is fermentation?**Section-D****Long Answer Type Questions**  
*(150-200 Words each)***5 Marks Each****Q25:** Define ICT and ITeS. What are the different fields where ICT is used?*Or*

Define entrepreneur. What are the steps to understand the market. Give an example.

**Q26:** Define routes of disease transmission and define Direct contact?*Or*

Define sun stroke and how to treat the sun stroke?

**Q27:** Define the terms:

a) Entrepreneur?

b) Hay?

c) Silage?

*Or*

How to control bleeding wounds?

# Model Paper

Class 12<sup>th</sup>

*Telecommunication*

*Job Role: Optical Fibre Technician*

**Maximum Marks: 60**

**Time: 2:30 Hours**

**Section-A**

**Very Short Answer Type Questions**

**1 Marks Each**

**Q1:** \_\_\_\_\_ is characterized by a pattern of persistent disregard for and violation of the rights of others.

**Q2:** Which of these is not a common communication barrier?

- a) Linguistic barrier
- b) Interpersonal barrier
- c) Financial barrier
- d) Organisational barrier

**Q3:** Which of the given options can you add to a header?

- a) Page number
- b) Date
- c) Title
- d) All of the above

**Q4:** A visual fault locator is a visible light source that injects visible light energy into a fibre. *(True/False)*

**Q5:** The refractive index of core is always greater than the refractive index of cladding. *(True/False)*

**Q6:** Which of the following is not a networking device?

- a) Router
- b) Client
- c) Hub
- d) Switch

**Q7:** Full form of ROM is \_\_\_\_\_.

**Q8:** Successful entrepreneurs have the \_\_\_\_\_ abilities.

- a) Confident
- b) Open to new ideas
- c) Creative
- d) All of the above

**Q9:** Which optical devices are adopted or applicable for routing signals from one waveguide to another?

- a) Optical combiner
- b) Optical splitter
- c) Optical coupler
- d) None of these

**Q10:** What is the full form of FSO

- a) Final pace optics
- b) Free space optics
- c) Free strength optics
- d) Form space optics



**Section-B****Short Answer Type Questions-I****2 Marks Each***(20-40 words each)*

**Q11:** Define Eco-tourism and Green jobs?

**Q12:** Write any two types of Spreadsheet?

**Q13:** Draw a neat and clean diagram of Optical Fibre Cable.

**Q14:** Differentiate between trenching and aerial installation.

**Q15:** Write a short note on fibre safety in a trench.

**Q16:** Write any two differences between digital television and closed circuit television.

**Q17:** Enlist four personal protective equipments.

**Section-C****Short Answer Type Questions-II****3 Marks Each***(50-60 words each)*

**Q18:** What are the qualities of a successful entrepreneur?

**Q19:** List any five self-management skills.

**Q20:** What is OFC Route plan?

**Q21:** What are the various parameters to inspect the route inspection site?

**Q22:** What are the types of fibre based modes of propagation?

**Q23:** Explain the factors effecting fibre optic cable.

**Q24:** Differentiate between Fusion splicing and Mechanical splicing.

**Section-D****Long Answer Type Questions****5 Marks Each***(150-200 words each)*

**Q25:** What is active listening. Describe any four steps to active listening?

*Or*

Define positive attitude? Explain any three ways to maintain positive attitude.

**Q26:** What are the advantages and disadvantages of fibre optic communication in Telecom industry?

*Or*

Write the daily duties of a fibre optic technician.

**Q27:** Write a short on following:

- a) Single-mode fibre.
- b) Multi-mode fibre.
- c) Fibre attenuation.

*Or*

There are various tools and equipments used in fibre optics. Elaborate?

# Model Paper

## Class 12<sup>th</sup> *Media & Entertainment* *Job Role: Texturing Artist*

Maximum Marks: 60

Time: 2:30 Hours

Section-A Very Short Answer Type Questions

1 Mark Each

**Q1 .** What are the characteristics of an ideal message?

- i. Clear                      ii. Concise
- ii. Accurate                iv. All of the above

**Q2:** Which of the following is not a parameter to describe an individual's personality?

- i. Self Confidence        ii. Openness
- iii. Neuroticism         iv. Agreeableness

**Q3:** What is the shortcut key to underline text in a spreadsheet?

- i. Ctrl+B                      ii. Ctrl+I
- iii. Ctrl+L.                    Iv. Ctrl +U

**Q4:** Which of the following sign define a formula?

- i. +                                ii. /
- iii. =                                iv. -

**Q5:** \_\_\_\_\_ is a 3D Software.

- i. Maya                            ii. Photoshop
- ii.                                iii. Adobe flash        iv. Adobe after effects

**Q6:** Key frames define "\_\_\_\_\_ " and "end" positions for an object and the computer fills in the rest.

**Q7:** \_\_\_\_\_ is the perceived surface quality of a work of art.

**Q8:** \_\_\_\_\_ is the process of exchanging information.

**Q9:** The creator of Adobe Photoshop is Microsoft

*(True/false)*

**Q10:** You cannot delete the layer once they have been created.

*(True/false)*

**Section-B****Short Answer Type Questions-I**  
*(20-40 words each)***2 Marks Each****Q11:** Define reflection and refraction?**Q12:** Define Autodesk Maya Software and what is the frame limit for the Maya Time Line?**Q13:** Write down any two factors that effect the active listing?**Q14:** List basic parts of speech.**Q15:** Define Positive attitude with real life example?**Q16:** Differentiate between verbal & Non Verbal Communication?**Q17:** Write down three steps to save a spreadsheet document?**Section-C****Short Answer Type Questions-II**  
*(50-60 words each)***3 Marks Each****Q18:** What do you mean by Texture?**Q19:** What is the effect of lighting conditions on different surfaces?**Q20:** What do you mean by shading network in Autodesk Maya?**Q21:** What are the main tools in Photoshop? Define any two tools used in Photoshop?**Q22:** What are the methods of rendering? Define any two?**Q23:** Write a short note on barriers to active listing?**Q24:** What are the three importance of spreadsheet?**Section-D****Long Answer Type Questions**  
*(150-200 words each)***5 Marks Each****Q 25:** Mention menus available in Maya. Explain any two.

OR

Explain the purpose of various types of maps in texturing.

**Q26:** What do you mean by rendering? Explain two types of rendering.

OR

Discuss file formats used in production pipeline.

**Q27:** Define spreadsheet. Give three advantages.

OR

Define entrepreneur. What are various types of entrepreneur?

# Model Paper

Class 12<sup>th</sup>

*Beauty & Wellness*

*Job Role: Beauty Therapist*

**Maximum Marks: 60**

**Time: 2:30 Hours**

**Section-A**

**Very Short Answer Type Questions**

**1 Mark Each**

Q1: In a Spreadsheet, letters are used to represent \_\_\_\_\_

- a) Columns
- b) Blocks
- c) Rows
- d) Cells

Q2: Bisma owns a construction company and takes risky decisions in her work every day. Bisma is an \_\_\_\_\_

- a) Wage Employed Person
- b) Entrepreneur
- c) Both (a) and (b)
- d) None of the above

Q3: The pH of the normal skin ranges from

- a) 5.5 to 5.8
- b) 6.5 to 7.5
- c) 4.5 to 3.5
- d) 2.5 to 3.4

Q4: Dry skin is due to the lack of

- a) Heat
- b) Cold
- c) Lubrication
- d) None of the above

Q5: The electric facial treatment is also called as

- a) galvanic treatment
- b) cosmetic electrotherapy
- c) High- frequency treatment
- d) faradic treatment

Q6: Which tool is best suited for deep cleansing?

- a) Electric brush
- b) Foundation brush
- c) Cotton pad
- d) None of the above

Q7: Which type of electric current is used in galvanic electro- facial skin treatment.

- a) Alternate current (AC)
- b) Direct current (DC)
- c) combination of AC and DC
- d) None of the above

Q8: Who books the appointment for a client ?

- a) Salon manager
- b) Salon owner
- c) Receptionist
- d) Beauty therapist

Q9: The ability to work with others is \_\_\_\_\_.

- a) Organisational skills
- b) Interpersonal skills
- c) Initiative

Q10: Which menu option do you use to insert a slide?

- a) Edit
- b) Insert
- c) Slide
- d) Tools

**Section-B****Short Answer Type Questions-I****2 Marks Each***(20-40 words each)*

- Q11: Define Personal Hygiene?  
Q12: what is Entrepreneurship.  
Q13: Define skin tone?  
Q14: Define oily skin?  
Q15: Write two benefits of steaming.  
Q16: .How to book an appointment?  
Q17: How will you maintain the register at salon?

**Section-C****Short Answer Type Questions-II****3 Marks Each***(50-60 words each)*

- Q18: What are green skills?  
Q19: Describe the meaning of positive attitude?  
Q20: Explain the code of conduct for a beauty therapist?  
Q21: How will you schedule an appointment at salon?  
Q22: List some contra- indication of galvanic electro facial treatment?  
Q23: What is the purpose of using a blusher in the makeup?  
Q24: Write down three importance of Entrepreneurship?

**Section-D****Long Answer Type Questions****5 Marks Each***(150-200 words each)*

- Q25: Define Motivation. Differentiate between Intrinsic and Extrinsic motivation?

*Or*

Define entrepreneur. What are the various types of entrepreneurs?

- Q26: Explain the step by step process to apply foundation?

*Or*

Write the application of eye shadow?

- Q27: How will you provide a caring environment for a client?

*Or*

How should a salon reception area be organized?

# Model Paper

Class 12<sup>th</sup>

*Physical Education and Sports*

*Job Role: Fitness Trainer*

**Maximum Marks: 60**

**Time: 2:30 Hours**

**Section-A**

**Very Short Answer Type Questions**

**1 Mark Each**

**Q1:** ..... is used in place of noun.

**Q2:** A group of ..... is called sentence.

**Q3:** Solar energy is a form of renewable source energy. (True/False)

**Q4:** Which of the following is not a parameter to describe an individual's personality?

- a) Self Confidence
- b) Openness
- c) Neuroticism
- d) Agreeableness

**Q5:** What is the shortcut key to underline text in spreadsheet?

- a) Ctrl +b
- b) Ctrl + i
- c) Ctrl + l
- d) Ctrl + u

**Q6:** Protein consists of.

- a) Amino acids
- b) Acids
- b) (c) Nucleic Acids
- d) None of these

**Q7:** Process of combining a substance chemically with water molecules is;

- (a) Dehydration
- (b) Hydration
- (c) Condensation
- (d) None of these

**Q8:** Scientific study of human body movement or motion is known as....

- (a) Physiology
- (b) Psychology
- (c) Kinesiology
- (d) Anatomy

**Q9:** The branch of biology that deals with functions of human body is

- (a) Cosmetology
- (b) Kinesiology
- (c) Physiology
- (d) Psychology

**Q10:** Caring, Maintaining and preservation from diseases is known as

- (a) Health Hygiene
- (b) Personal Hygiene
- (c) Both A&B
- (d) None of these

**Section-B**                      **Very Short Answer Type Questions**                      **2 Marks Each**  
(20-40 words each)

**Q11:** Give two examples of intrinsic motivation?

**Q12:** Write down any three types of Entrepreneurs?

**Q13:** What do you mean by Mass gain diet?

**Q14:** What is Circulation?

**Q15:** Give four benefits of good posture?

**Q16:** What is Health Education?

**Q17:** Define Strength?

**Section-C**                      **Short Answer Type Questions**                      **3 Marks Each**  
(50-60 words each)

**Q18:** Explain briefly Stress Management?

**Q19:** What are the components of spreadsheet? (Any two)

**Q20:** Differentiate between Macro and Micro Nutrients?

**Q21:** What are the various functions of muscular system?

**Q22:** Write various safety measures one should follow to prevent from injuries?

**Q23:** Write short note on Endurance and Strength?

**Q24:** What is Warm-up and what are its types?

**Section-D**                      **Long Answer Type Questions**                      **5 Marks Each**  
(150-200 words each)

**Q25:** Describe active listening? What are the stages of active listening?

*Or*

Explain the meaning of motivation, and types of motivation?

**Q26:** Write down the meaning of Balanced Diet and its Importance?

*Or*

Give the Importance of Pre and post workout diets?

**Q27:** Explain muscular system and its functions?

*Or*

Describe the functions of heart. Draw a suitable diagram?





**Section-B****Short Answer Type Questions-I**  
*(20-40 words each)***2 Marks Each**

**Q11:** What are the advantages of service manual?

**Q12:** List the areas covered under service manual?

**Q13:** Name the materials required while servicing cylinder head?

**Q14:** Define wheel alignment?

**Q15:** Draw symbols of two electrical devices?

**Q16:** write down two pros of green jobs in saving our environment?

**Q17:**What is active listening. Give an example?

**Section-C****Short Answer Type Questions-II**  
*(50-60 words each)***3 Marks Each**

**Q18:**What are the common personality disorders? Discuss briefly.

**Q19:**What are the basic personality traits?

**Q20:**Give the advantages and uses of MPFI?

**Q21:**What is the procedure for servicing of piston rings?

**Q22:**Define universal joint and give its importance?

**Q23:**Differentiate between manual and power steering?

**Q24:**Define wheel balancing and wheel alignment?

**Section-D****Long Answer Type Questions**  
*(150-200 words each)***5 Marks Each**

**Q25:**What is Spreadsheet? Give its applications in different areas.

*Or*

Define entrepreneur. What are the various types of entrepreneurs?

**Q26:**Explain the importance of transmission system and what are the steps involved in removing clutch assembly from the engine?

*Or*

Define differential unit. Give the importance of propeller shaft?

**Q27:**Explain HVAC in detail?

*Or*

Define battery. Give general precautions while handling the battery.

# Model Paper

## Class 12<sup>th</sup>

### *Apparels Makeups & Home Furnishing* *Job Role: Specialized Sewing Machine Operator*

Maximum Marks: 60

Time: 2:30 Hours

**Section-A**

**Very Short Answer Type Questions**

**1 Mark Each**

**Q1:**What machine stitch can be produced on heavy fabrics like denim or jeans?

- a) Feed of arm
- b) Bartack machine
- b) Flat lock machine
- c) Blind stitch machine

**Q2:** \_\_\_\_\_ Stitch control can be adjusted to make different stitching patterns

- a) Throat plate
- b) Pattern selector dial
- c) Thread guide
- d) Foot control

**Q3:**Which of the following is power press.

- a) Hand press
- b) Fly press
- c) Hydraulic press
- d) All of the above

**Q4:**There are basically two types of symbols \_\_\_\_\_ and \_\_\_\_\_

**Q5:**Short breaks are necessary to prevent \_\_\_\_\_ pain.

**Q6:**Which one of the following is an unhealthy habit.

- a) Sharing food
- b) bathing twice a day
- c) Drinking boiled water
- d) Eating without washing hands

**Q7:**Carton audit is done to check.

- a) Correct packing
- b) Correct audit
- b) Correct stitch
- c) All of the above

**Q8:**In case of faults the operator should immediately report to the \_\_\_\_\_

- a) Supervisor
- b) Co-Worker
- c) Inline checker
- d) Manager

**Q9:** How do you receive information on phone?

- a) Listening
- b) Speaking
- c) Reading
- d) Writing

**Q10:**In a spreadsheet, letters are used to represent \_\_\_\_\_

- a) Columns
- b) Blocks
- c) Rows
- d) Cells

**Section-B****Short Answer Type Questions-I**  
*(20-40 words each)***2 Marks Each****Q11:**What is self-management skill?**Q12:** What are the qualities of a successful entrepreneur?**Q13:** Write short note on Embroidery Placement?**Q14:**What is process planning?**Q15:** Explain feed off arm sewing machine?**Q16:**What is first aid procedure?**Q17:**Define quality audit?**Section-C****Short Answer Type Questions-II**  
*(50-60 words each)***3 Marks Each****Q18:**What are the steps to active listening skills?**Q19:**Explain basic personality traits?**Q20:** What are green skills?**Q21:**What are various attachments of sewing machine?**Q22:**What is flat lockstitch machine?**Q23:**Write a short note on good lighting system while working in a garment manufacturing industry?**Q24:**What is the importance of quality in stitching process?**Section-D****Long Answer Type Questions**  
*(150-200 words each)***5 Marks Each****Q25:**Define spreadsheet. Give its advantages?**Or**

Define entrepreneur. What are the various types entrepreneur?

**Q26:**what is the meaning and importance of Specification Sheet?**Or**

What is Preproduction process in garment industry?

**Q27:**Explain quality control in the finishing department?**Or**

Explain sewing faults in manufacturing industry with causes and remedies?

**Model Paper**  
**Class 12th**  
**Electronics & Hardware**  
***Job Role: Field Technician-Air Conditioner***

**Max. Marks: 60**

**Time: 2:30 Hrs.**

**Section-A                      Very Short Answer Type Questions                      1 Marks Each**

**Q1:** Which of the following is not a verbal communication

- |                       |                |
|-----------------------|----------------|
| a) Oral communication | b) Email       |
| c) SMS                | d) Sign boards |

**Q2:** Communication is a part of \_\_\_\_\_ skill. **(Soft/Hard)**

**Q3:** A person who sends the message is called a Reciever. **(True/ False)**

**Q4:** What makes you complete work or studies without others cheering you?

- |                      |                   |
|----------------------|-------------------|
| a) Thinking Negative | b) Communication  |
| c) Self-motivation   | d) Discouragement |

**Q5:** What is the best way to start our day positively?

- a) Think about all that can go wrong.
- b) Think about the difficult test you will face during the day.
- c) Think about all your accomplishment so far and feel good about it.
- d) Think about the traffic on the road and feel stressed.

**Q6:** S.I unit to measure Pressure in Refrigeration is \_\_\_\_\_

**Q7:** A Central AC plant is meant for

- |                 |                 |
|-----------------|-----------------|
| a) Summer       | b) Winter       |
| c) Both a and b | d) None of them |

**Q8:** As per the colour code, the Red colour indicates

- |                         |                    |
|-------------------------|--------------------|
| a) Fire Prevention      | b) Radiant Hazards |
| c) First-Aid equipments | d) General caution |

**Q9:** Hot water of a condensor is cooled by chilled Water. **(True/False)**

**Q10:** What is an Acoustic Jacket?

**Section-B****Short Answer Type Questions-I**  
*(20-40 words each)***2 Marks Each**

- Q11:** Write any two symptoms of schizoid disorder?  
**Q12:** Write down two pros of green jobs in saving our environment?  
**Q13:** How do you take customer feedback after providing the services of an equipment?  
**Q14:** Define a clamp meter. What is it used for?  
**Q15:** Enlist the tools required for installing an air conditioner.  
**Q16:** How can we protect an AC unit from fire damages?  
**Q17:** What do you understand by troubleshooting?

**Section-C****Short Answer Type Questions-II**  
*(50-60 words each)***3 Marks Each**

- Q18:** What is the importance of Active listening at your workplace?  
**Q19:** Write any three functions of MS- Excel at your workplace?  
**Q20:** Enlist three commonly occurring faults in an AC. Explain one of them.  
**Q21:** What do you understand by smart cooling of an AC?  
**Q22:** Write down steps of replacing a faulty sensor of an AC.  
**Q23:** Draw the wiring diagram of an Air Conditioner.  
**Q24:** Discuss two precautionary measures while handling a refrigerant cylinder.

**Section-D****Long Answer Type Questions**  
*(150-200 words each)***5 Marks Each**

- Q25:** Write the steps of creating a new worksheet in MS-Excel and write down formula to add cells from A10 to A20.

*Or*

What do you mean by a successful entrepreneur? What are various barriers faced in becoming a successful entrepreneur?

- Q26:** How can you perform a functionality test on an AC using a multimeter?

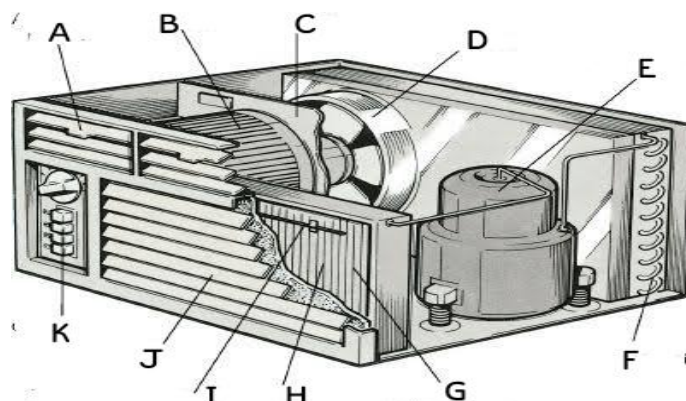
*Or*

An AC has a problem of fan working but not cooling. What can be the possible causes and how can you troubleshoot it?

- Q27:** What is Internet of Things? How is it used to make a device smart?

*Or*

Identify different parts of the AC unit given below. Explain any one of them.



# Model Paper

Class 12<sup>th</sup>

*Plumbing*

*Job Role: Plumber General-II*

Maximum Marks: 60

Time: 2:30 Hours

Section-A

Very Short Answer Type Questions

1 Mark Each

**Q1:** In a Spreadsheet, letters are used to represent\_\_\_\_\_

- a) Columns
- b) Blocks
- c) Rows
- d) Cells

**Q2:** Ridhi owns a construction company and takes risky decisions in her work every day. Ridhi is an \_\_\_\_\_

- a) Wage Employed Person
- b) Entrepreneur
- c) Both (a) and (b)
- d) None of the above

**Q3:** Which of the following is an example of oral communication?

- a) Newspaper
- b) Letters
- c) Phone call
- d) E-mail

**Q4:** Minimum clearance in front of a commode for comfortable use should be \_\_\_\_\_inches.

**Q5:** Full form of HTML is\_\_\_\_\_

**Q6:** A plunger is a tool used to clear blockage through.

- a) Drain
- b) Pipe
- c) Both (a) and (b)
- d) None of the above

**Q7:** \_\_\_\_\_ is used for making holes in a wall.

**Q8:** Which of the following is not a component of a building.

- a) Foundation
- b) Beam
- c) Floor
- d) Water pump

**Q9:** The latest version of the Android Operating System is\_\_\_\_\_

**Q10:** Water drips from the tap even when it is rightly closed, is a defect in tap.

*(True/False)*

**Section-B**                      **Short Answer Type Questions-I**                      **2 Marks Each**  
(20-40 words each)

- Q11:** Define stopcock.  
**Q12:** What is active listening?. Give an example.  
**Q13:** What are the materials used for making sanitary fixtures?  
**Q14:** With an example define results oriented goals.  
**Q15:** Define crimping tool or crimper.  
**Q16:** Write down five output devices  
**Q17:** What is the importance of maintenance in plumbing system?

**Section-C**                      **Short Answer Type Questions-II**                      **3 Marks Each**  
(50-60 words each)

- Q18:** What are the common personality disorders? Discuss briefly.  
**Q19:** what is stress? What are various stress management techniques?  
**Q20:** What are the various types of shower?  
**Q21:** What are types of shower diverters?  
**Q22:** Define valve. Write down its components.  
**Q23:** What are the safety precautions during cutting and opening in walls?  
**Q24:** What are the tools used for clearing clogs in drains and pipes?

**Section-D**                      **Long Answer Type Questions**                      **5 Marks Each**  
(150-200 words each)

- Q25:** Describe standard dimensions for the installation of fixtures.  
*Or*  
Describe tank-less water heater. What are its advantages and disadvantage?
- Q26:** What is Spreadsheet? Give its application in different areas.  
*Or*  
Define entrepreneur .What are the various types of entrepreneurs?
- Q27:** What are the various types of pipe joints?  
*Or*  
What are the methods of cutting in a building? Write down the tools used for core cutting.